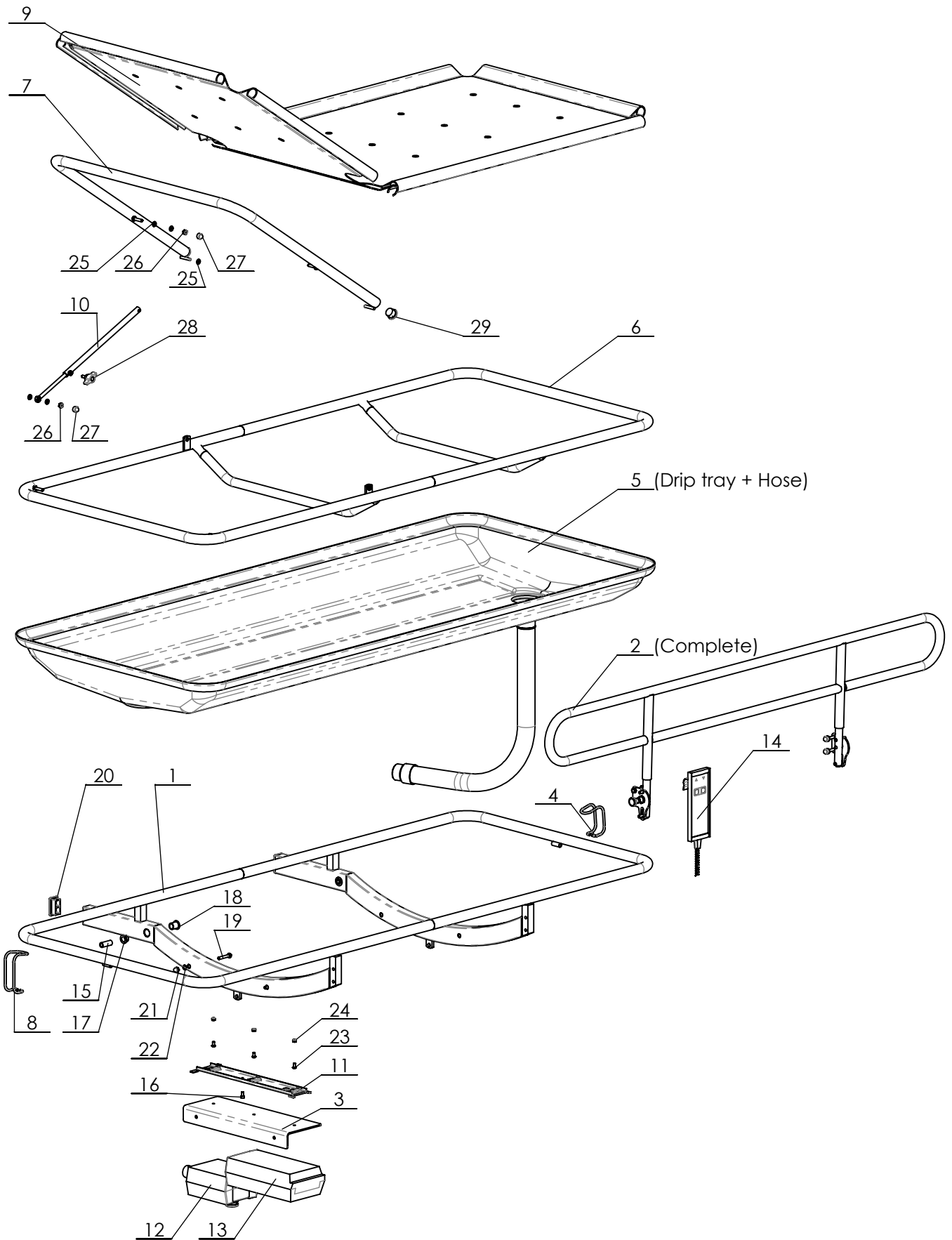


For the Wallmount, see exploded view 5004



Z:\SW-Tek\Peilkaan lijn\5005\

| | | | |
|---------|-------|------|------------|
| Signed | PS | Date | 19-01-2006 |
| Revised | 5 /PS | Date | 19-12-2008 |
| Revised | 6 /KA | Date | 22-01-2015 |

Overview parts Amfora

Copyright reserved by law

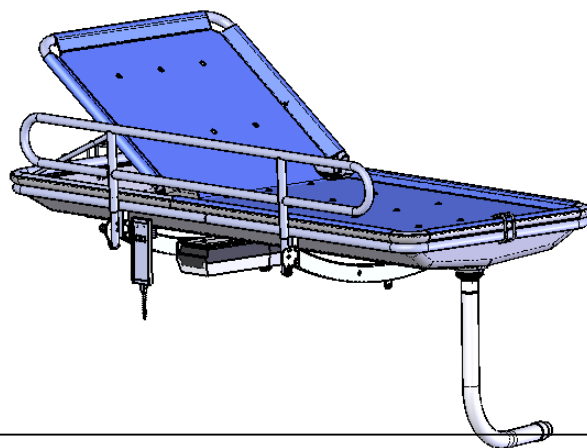
Unit of measurement: mm

Lopital Nederland bv

Type nr: 62005005/5010

Amfora 62005005 / 62005010

| Part nr. | QTY. | Art.nr. | Part |
|----------|------|----------------------|--|
| 1 | 1 | 70500502 70501001 | Frame L=160 Frame L=190 |
| 2 | 1 | 70512002 | Side rail complete |
| 3 | 1 | 70500501 | Mounting plate |
| 4 | 1 | 70404001 | Clamp low |
| 5 | 1 | 67908070 67908068 | Drip tray L=160 + Hose Drip tray L=190 + Hose |
| 6 | 1 | 70410003 70410501 | Inlay frame backrest L=160 Inlay frame backrest L=190 |
| 7 | 1 | 70410001 | Adjusting backrest |
| 8 | 1 | 70410004 | Clamp high |
| 9 | 2 | 70401012 70401512 | Lying surface 160 Lying surface 190 |
| 10 | 2 | 70410002 | Tube backrest adjusting |
| 11 | 1 | 70210511 | Mounting plate |
| 12 | 1 | 70210515 | Control box |
| 13 | 1 | 70210518 | Batterypack |
| 14 | 1 | 70210510 | Manual control |
| 15 | 2 | 70240011 | Spacer |
| 16 | 1 | | Cylinder head screw |
| 17 | 2 | | Slide bearing |
| 18 | 2 | | Slide bearing |
| 19 | 2 | | Hex bolt |
| 20 | 2 | | Tube cap |
| 21 | 2 | | Cap nut |
| 22 | 2 | | Washer |
| 23 | 3 | | Round head screw |
| 24 | 3 | | Locknut |
| 25 | 10 | | Washer |
| 26 | 4 | | Lock nut |
| 27 | 4 | | Nut cap |
| 28 | 2 | | Wingbolt |
| 29 | 2 | | Tube cap |



Z:\SW-Tek\Peilkaan lijn\5005\

| | | | |
|---------|-------|------|------------|
| Signed | PS | Date | 19-01-2006 |
| Revised | 5 /PS | Date | 19-12-2008 |
| Revised | 6 /KA | Date | 22-01-2015 |

Copyright reserved
by law

Unit of measure-
ment: mm

Overview parts Amfora

Lopital Nederland bv

Type nr: 62005005/5010