



Creating balance in healthcare



**Sirocco basic & deluxe  
shower stretcher**





Suitable for people  
with a severe to  
very severe disability

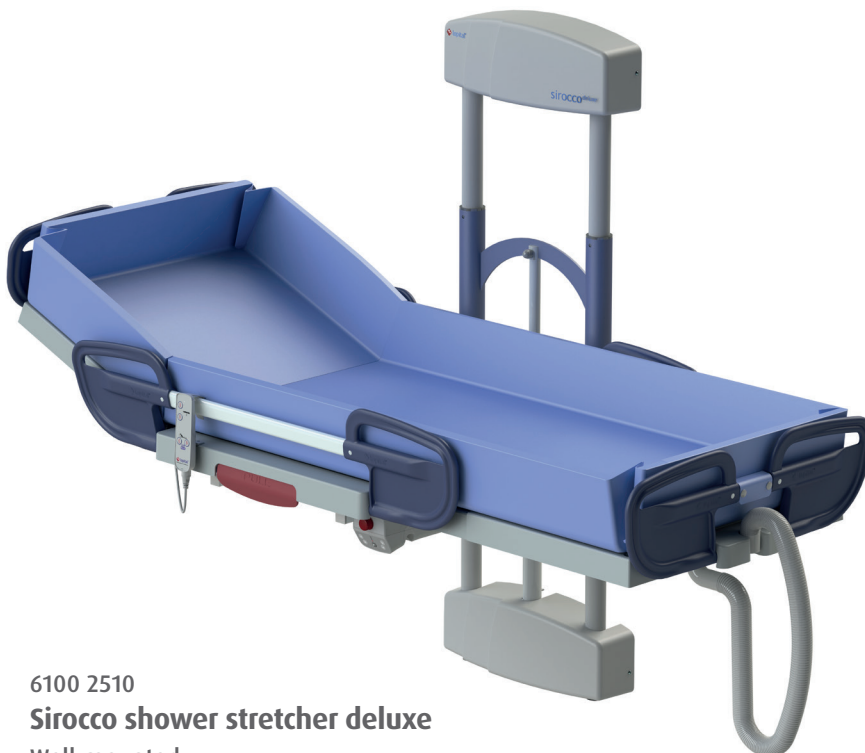
**6100 2500 / 6100 2510**

## Sirocco basic & deluxe

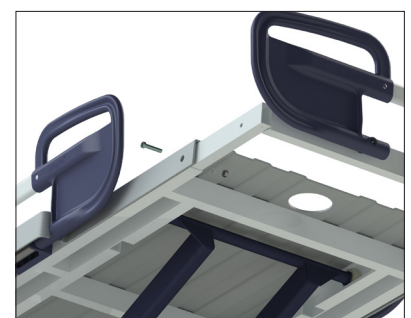
- Maximum load 227 kg.
- Height adjustable, electrically operated and equipped with a removable battery, emergency descent function, emergency stop and user-friendly charger.
- Back adjustment up to 25 degrees (Sirocco deluxe).
- Easy and safe operation of side rails with locking.
- Corrosion resistant due to aluminum, stainless steel, plastic and galvanized parts.
- Sleek finish for optimal cleaning and disinfection.
- 2 position side rail (normal and wide).
- Comfortable mattress, antibacterial, flame retardant and free of harmful plasticizers.
- Water drainage outlet hose left or right.



**6100 2500**  
**Sirocco shower stretcher basic**  
Wall-mounted

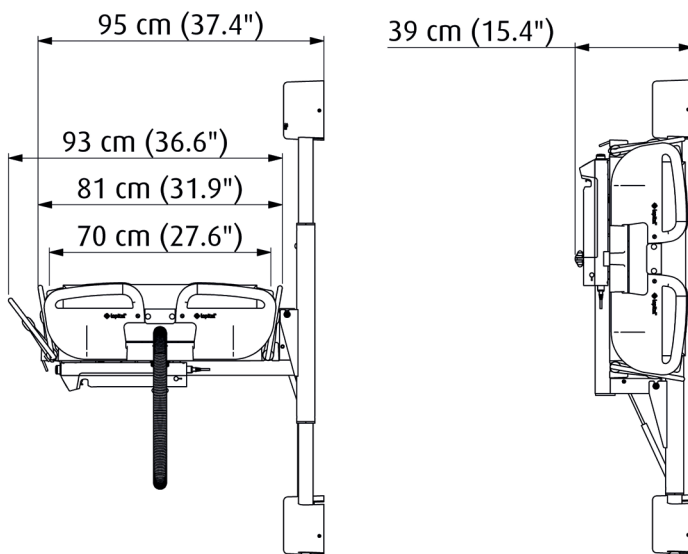
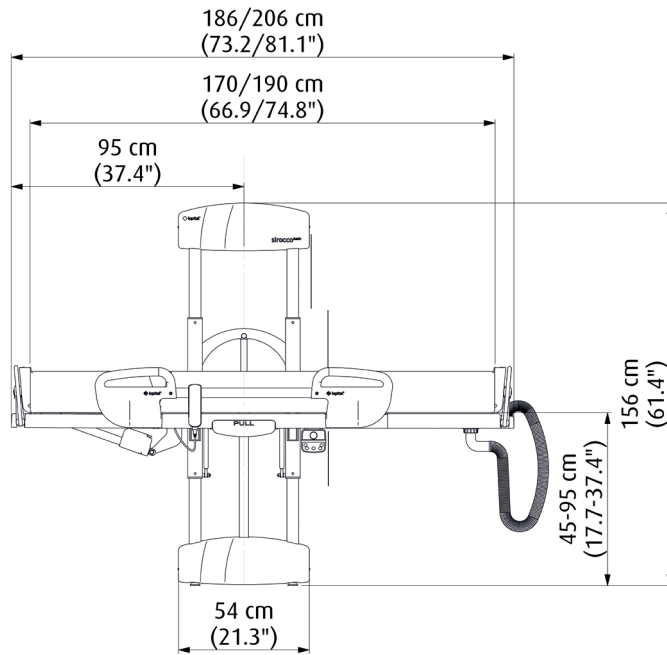


**6100 2510**  
**Sirocco shower stretcher deluxe**  
Wall-mounted

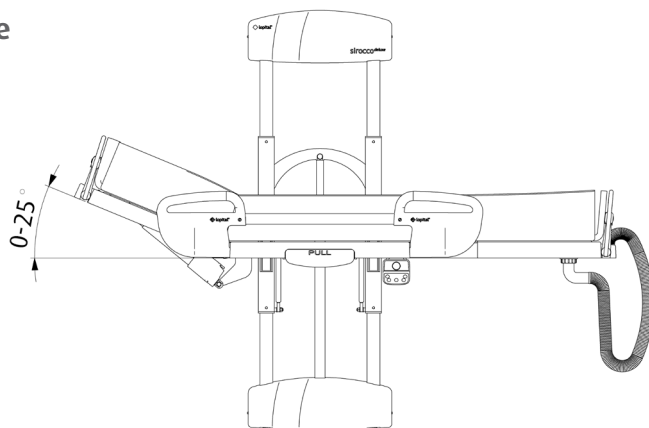


With built-in length adjustment  
(Sirocco basic & deluxe)

**Sirocco deluxe & Sirocco basic**



**Sirocco deluxe**



## Technical Specifications

- Raise/Lower Electric
- Manual Operation 4-button manual operation, IPX6
- Control box 24VDC, max. 250 W IPX6
- Battery 24V, 2.9 Ah IPX6
- Battery charger 100-240V AC, 50-60 Hz, max. 1A, charging station (wall)

Art.nr.	Art. description	Outside length	Outside width	Inside length	Inside width	High/ low	Max. load	Own weight in kg
<b>6100 2500</b>	Sirocco shower stretcher basic	186 206	95	170 190	70-75	45-95	227	75
<b>6100 2510</b>	Sirocco shower stretcher deluxe	186 206	95	170 190	70-75	45-95	227	75
<b>6720 0005</b>	Mattress 186 basic	-	-	170	70	-	-	-
<b>6720 0015</b>	Mattress 206 basic	-	-	190	70	-	-	-
<b>6720 0010</b>	Mattress 186 deluxe	-	-	170	70	-	-	-
<b>6720 0020</b>	Mattress 206 deluxe	-	-	190	70	-	-	-

All measurements in this matrix are in centimeters.



For more information also visit our website: [www.lopital.com](http://www.lopital.com)

Lopital Nederland B.V., Laarakkerweg 9, 5061 JR Oisterwijk, the Netherlands, Postbus 56, 5060 AB Oisterwijk, the Netherlands  
 Tel +31 (0)13 5239300, E-mail [info@lopital.com](mailto:info@lopital.com), [www.lopital.com](http://www.lopital.com)

