



Creating balance in healthcare



Reflex Shower-toilet chair



5100 5600

Reflex Shower-toilet chair

Reflex, the all-round toilet and shower solution for disabled persons.



5100 5600

Reflex Shower-toilet chair

- Electrically operated height-adjustable settings (variable).
- Electrically operated tilt mechanism.
- Easy-to-use touch controls on backrest.
- Height-adjustable headrest.
- Ergonomically designed backrest and seat.
- Height-adjustable legrest and calf protection.
- Foldable swivel armrests with front locking.
- Suitable for use in the shower and toilet.
- Can be moved into position over toilet.
- Slide for stainless steel commode pan.
- Four plastic castors with brakes.
- Easy to recharge with battery charger provided.
- **Option:** Also available with Handcontrol.



Option: 5100 5605 Reflex with Flexo footrests.



The Reflex Shower-Toilechair incorporates many features and options



Detachable and height-adjustable legrest and calf protection.



Foldable footrests.



Foldable armrests with front locking (operating independently from each other).



Over-toilet seat.



Slide for commode pan.



Emergency lowering device.



Four double-brake castors.

Control panel



Height-adjustable headrest.



Rechargeable with adapter.



Easy-to-use touch controls on both sides of backrest.



Emergency stop.



Easy-to-use touch controls on backrest (with pictograms).



Concave headrest.



The headrests include simple height and depth-adjustable settings.



Bedpan 6950 1104.



6950 5624 Optional: Platilon Seat and removable Platilon Backrest.

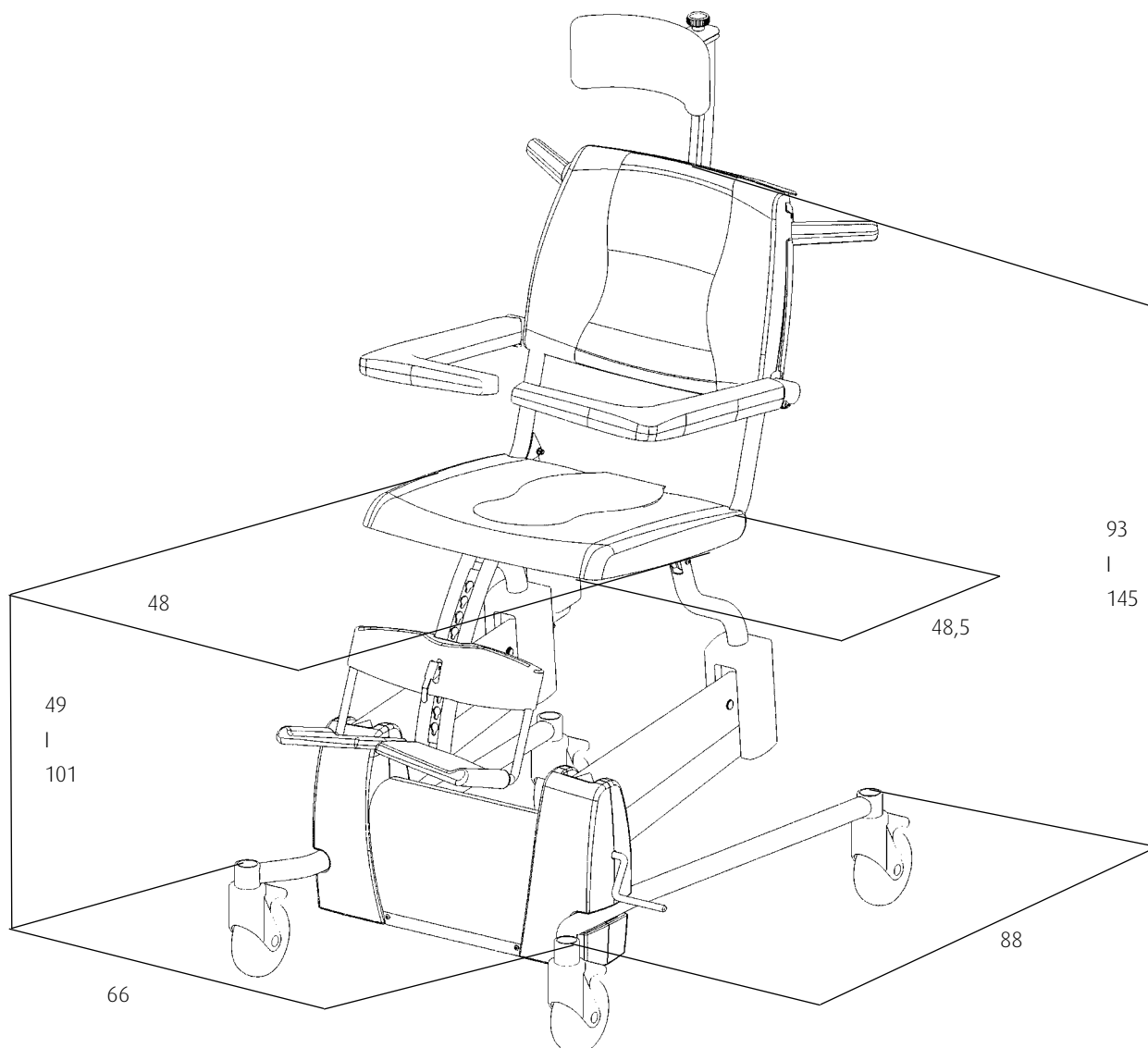


6950 5629 Optional: Platilon Seat.



Technical specifications

- Maximum lifting capacity: 135 kg
- Adjustable sitting height: 49 - 101 cm
- Backrest: 95 - 145 cm
- Seat depth: 48,5 cm
- Seat width: 48 cm
- Overall length basic frame: 88 cm
- Overall width basic frame: 66 cm
- Adjustability of leg rests: from 2,5 cm to 25 cm
- Adjustable headrest: 7 depth / 12 height cm
- Variable backrest adjustment: 30 degrees
- Weight (unoccupied): 55 kg
- Electric controls: 24 Volt
- Battery capacity: 7Ah
- Number of lifting actions: 40 up-down movements with fully charged batteries
- Battery charger: 220 Volt/50/60 Hz



For more information, visit our website: www.lopital.com

Lopital Nederland B.V., Laarakkerweg 9, 5061 JR Oisterwijk, Postbus 56, 5060 AB Oisterwijk
 Tel +31 (0)13 5239300, Fax +31 (0)13 5239301, E-mail info@lopital.nl, www.lopital.nl

