



Creating balance in healthcare



**Nemo
Mobile Tilt Shower-
toilet chair**



Nemo Mobile Tilt Shower-toilet chair

5 00 00

Nemo Mobile Tilt Shower-toilet chair

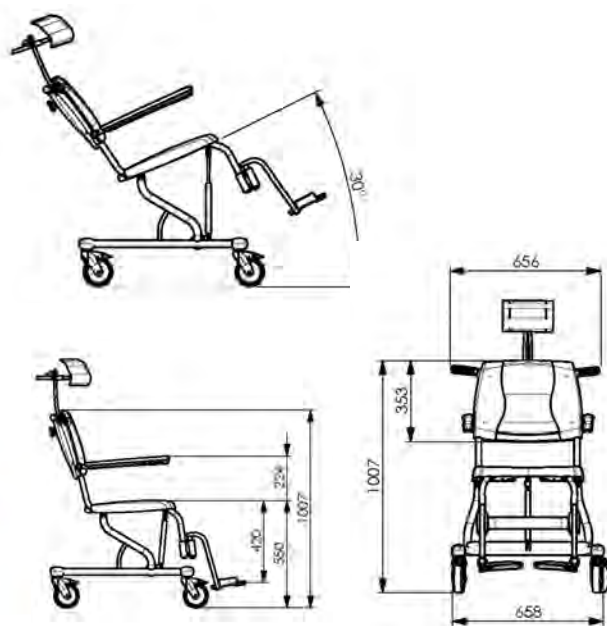
The Lopital Nemo is a mobile tilt shower-toilet chair that has been developed to provide maximum security and support to both users and caregivers during showering and care giving. The Nemo can be used with a bedpan or in combination with a toilet.

The Nemo consists of a chassis and a seating area. The seating area has the same comfort as a normal chair and provides the same correct support. Independent of the chassis, the seat part tilted by a gas spring steplessly 30 degrees. This makes the Nemo multifunctional.

The Nemo is standard equipped with a head / neck support that is adjustable in height as well as in depth. The chair is fitted with straight independent folding armrests. The ergonomically shaped plates are folding and detachable. Maximum load: 150 kg.

Options

- Plastic bedpan with lid. (Part No. 69501104)
 - Comfort leg support (Part No. 6960 8026)
- The comfort leg support provides extra support for the legs. The comfort leg support is adjustable both in the sit angle and in the length.
- Front locking armrests (Part No. 6840 5660)
 - Hip belt with plastic buckle (Part No. 69758044)



Voor meer informatie bezoek ook onze website: www.lopital.nl

Lopital Nederland B.V., Laarakkerweg 9, 5061 JR Oisterwijk, Postbus 56, 5060 AB Oisterwijk
Tel +31 (0)13 5239300, Fax +31 (0)13 5239301, E-mail info@lopital.nl, www.lopital.nl

Voor meer informatie bezoek ook onze website: www.lopital.be

Lopital België Bvba, Antwerpsesteenweg 124, 2630 Aartselaar
Tel +32 (0)3/870.51.60, Fax +32 (0)3/877.79.44, E-mail info@lopital.be, www.lopital.be

