

Product Description

FreeSpan Traverse and FreeSpan UltraTwin Traverse is two flexible, free-standing lift systems, for use in spaces where attachment to walls or ceiling is not feasible or desirable. FreeSpan can be adapted to different sized rooms through its broad range of length settings of included components. The Traverse system's lifting point can be moved in four directions within the lifting area, which provides extreme versatility. These two lifting systems is made of aluminium, a light and recyclable material.

IMPORTANT!

Read the instruction guides for both the lift and lifting accessories before use. Lifting and transferring a person always involves a certain level of risk. It is important to fully understand the instruction guides. The equipment should only be used by trained personnel. Please contact your Liko/Hill-Rom representative in the event of any uncertainty or questions.

△ is a warning triangle used for situations which require extra care and attention.

FreeSpan Traverse och FreeSpan UltraTwin Traverse complies with the requirements for Medical Device Directive Class I products (MDD 93/42/EEC). FreeSpan Traverse meets the requirements of EN ISO 10535:2006.

Maximum Load

Maximum load: 200-250 kg (440-550 lbs) FreeSpan Traverse

Maximum load: 400-460 kg (880-1014 lbs.) FreeSpan UltraTwin Traverse

Different maximum load limits may apply to different products in an assembled lift system, depending on the components included and the lifting accessories being used. For the assembled lift system, it is always the product allowed to carry the lowest max. load that determines the maximum load to the assembled lift system.

Example: if FreeSpan Traverse with an approved max. load of 200 kg (440 lbs) is used in combination with a Universal SlingBar 350 with an approved max. load of 300 kg (660 lbs), the lower max. load of 200 kg (440 lbs) applies to the assembled lift system. Check the labels on the components parts of the assembled lift system. For current information, we refer to the Liko website, www.liko.com.

Safety Instructions

Before lifting remind yourself to:

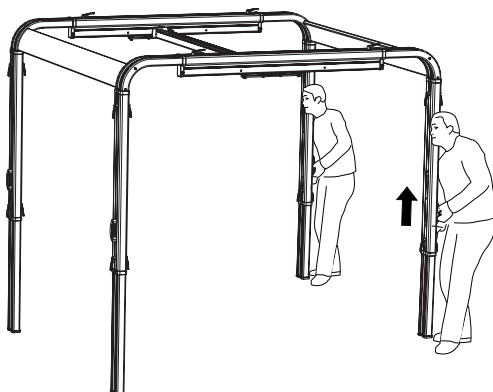
- always move patients in a gentle manner during a lifting procedure
- never lift a patient outside the FreeSpan system's lift area; this could cause tipping
- never leave a patient unattended during a lifting procedure!

△ This product must always be assembled by an authorized technician; see current installation instructions.

△ This product must under no circumstances be modified. Please contact Liko/Hill-Rom for more information.

△ Using lifting accessories other than those approved can entail a risk, please contact Liko/Hill-Rom for further information.

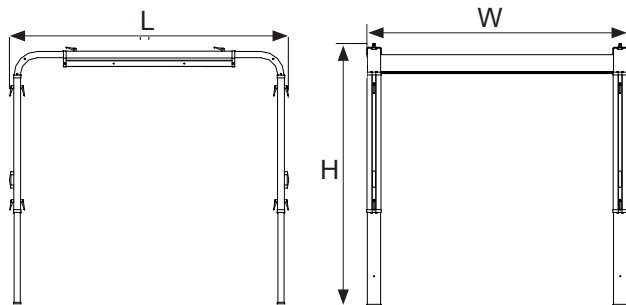
Settings



Both systems has four height settings. At least two people are needed for raising/lowering as two legs at a time must be released and set in the new position. **NOTE:** Take extreme caution when adjusting the height as both the secondary rail and the lift motor move freely in the system.



Dimensions



FreeSpan Traverse

L*: 2450-5950 mm (96-234 inch.)

W*: 2300-4300 mm (90-169 inch.)

H: 2250-2550 mm (88-100 inch.)

* Depending on the set up

FreeSpan UltraTwin Traverse

L*: 2450-4450 mm (96- 175 inch.)

W*: 2300- 4300 mm (90-169 inch.)

H: 2250-2550 mm (88-100 inch.)

* Depending on the set up

Inspection and Maintenance

To ensure problem free use, some details should be checked every day the lift system is used.

- Check the lift system for external damage.
- Check the functionality of the carriages.
- Check that all the locking handles are properly tightened.

Clean the lift system regularly with a moist cloth, using warm water or disinfectant.

NOTE! Do not use cleaning agents that contain phenol or chlorine, since these can damage aluminum and plastic materials.

Service

A periodic inspection of the FreeSpan lift system should be carried out at least once a year.

△ Periodic inspection, repair and maintenance may be performed only in accordance with the Liko service manual by personnel authorized by Liko and using original Liko spare parts.

Service Agreement

Liko offers the opportunity to enter into service contracts for the maintenance and periodic inspection of your Liko products.

Expected Life Time

The product has an expected life time of 10 years when correctly handled, serviced and periodically inspected in accordance with Liko's instructions.

Transport and Storage

The environment in which the product is transported and stored should have a temperature of 10–40 °C (50-104 °F) and a relative humidity of 30–75 %. The air pressure should be 700–1060 hPa.

Recycling

For instructions on how to recycle your Liko product, please visit the Liko website: www.liko.com.

Product Changes

Liko's products undergo continuous development, which is why we reserve the right to make product changes without prior notice. Contact your Liko representative for advice and information about product upgrades.

Design and Quality by Liko in Sweden

Liko is quality-certified in accordance with ISO 9001 and its equivalent for the medical device industry, ISO 13485. Liko is also certified in accordance with environmental standard ISO 14001.



A **Hill-Rom** Company

www.liko.com

Manufacturer:

Liko AB
SE-975 92 Luleå
Sweden
info@liko.se